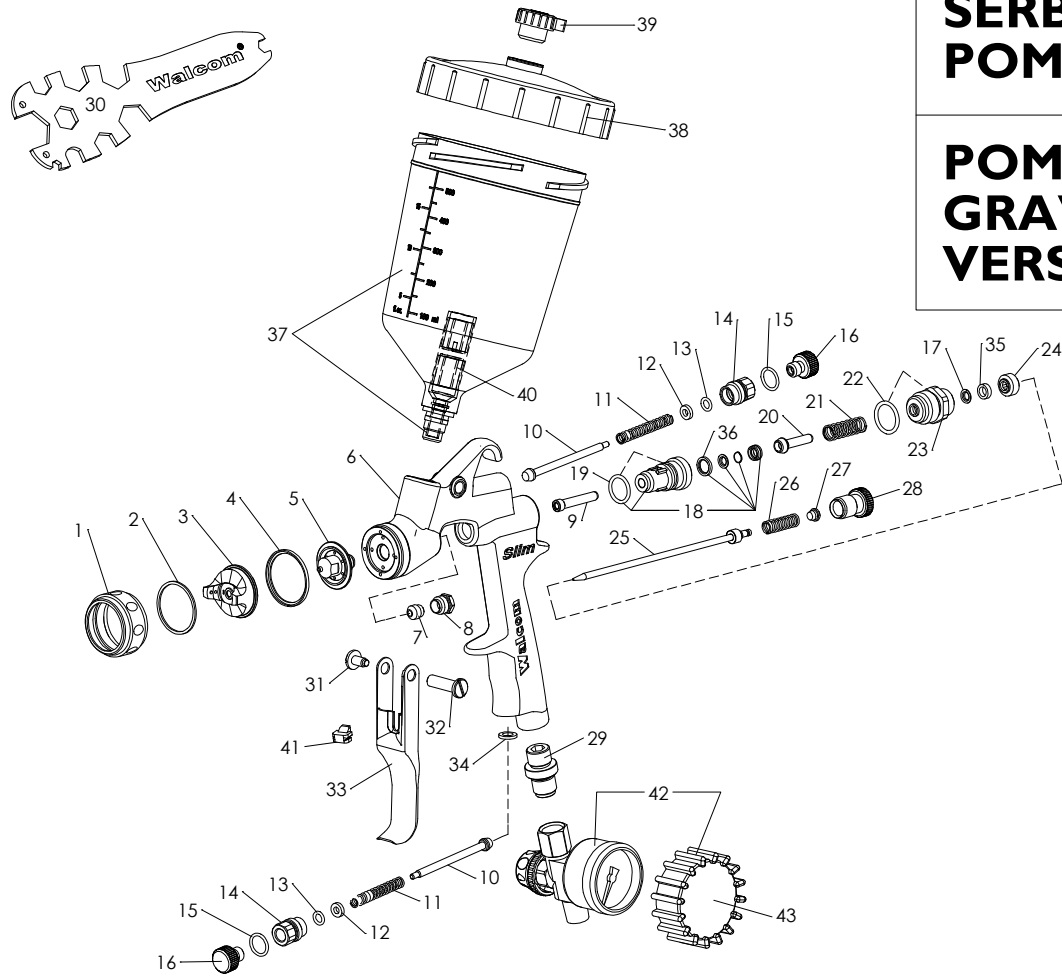


**VERSIONE
SERBATOIO IN
POM C**

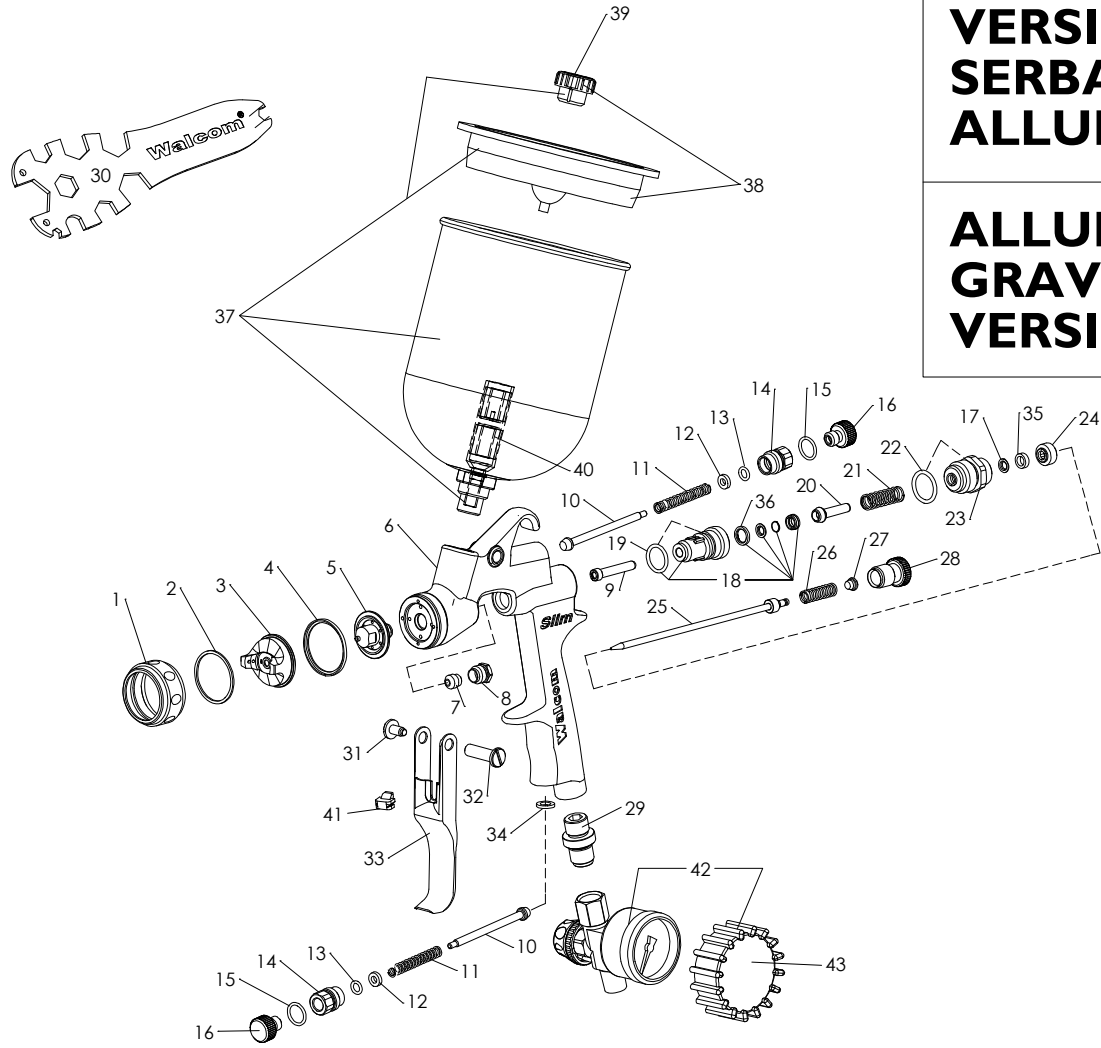
**POM C
GRAVITY CUP
VERSION**



| No. | REF. |
|--------|-------------|
| 1 | A018074 |
| 2 | A018022 |
| 3 Ø1,3 | A018077.13 |
| 3 Ø1,5 | A018077.15 |
| 3 Ø1,7 | A018077.17 |
| 3 Ø1,9 | A018077.19 |
| 3 Ø2,2 | A018077.22 |
| 3 Ø2,5 | A018077.25 |
| 4 | A018023 |
| 5 Ø1,3 | A018008.13 |
| 5 Ø1,5 | A018008.15 |
| 5 Ø1,7 | A018008.17 |
| 5 Ø1,9 | A018008.19 |
| 5 Ø2,2 | A018008.22 |
| 5 Ø2,5 | A018008.25 |
| 6 | A018068L |
| 7 | A018065 |
| 8 | Z065013 |
| 9 | A018041 |
| 10 | 1031620 |
| 11 | 1031621 |
| 12 | 20100213090 |
| 13 | A007008 |
| 14 | 1011356 |
| 15 | 1031021 |
| 16 | 20102195040 |

| No. | REF. |
|---------|-------------|
| 17 | A018062 |
| 18 | A018047/04 |
| 19 | A018028 |
| 20 | A018012 |
| 21 | A018001 |
| 22 | A018029 |
| 23 | A018006 |
| 24 | A018004 |
| 25 Ø1,3 | A018021.13 |
| 25 Ø1,5 | A018021.15 |
| 25 Ø1,7 | A018021.17 |
| 25 Ø1,9 | A018021.19 |
| 25 Ø2,2 | A018021.22 |
| 25 Ø2,5 | A018021.25 |
| 26 | Z065042 |
| 27 | A018024/TN |
| 28 | A018015 |
| 29 | 20100216000 |
| 30 | 1011560 |
| 31 | 1011419 |
| 32 | 1011417 |
| 33 | A018025 |
| 34 | A018061 |
| 35 | A018044 |
| 36 | A018045 |

| No. | REF. |
|------------------------|---------------|
| 37 | 1011584 |
| 38 | Z065018/W |
| 39 | 20100302096/W |
| 40 | 90114/W |
| 40 | 90137/W |
| 41 | 20102210008 |
| 42 | 90105/W |
| 43 | 971005 |
| KIT A | |
| 11352.13Ø1,3 | |
| 1 - 2 - 3 - 4 - | 11352.15Ø1,5 |
| 5 - 25 | 11352.17Ø1,7 |
| | 11352.19Ø1,9 |
| | 11352.22Ø2,2 |
| | 11352.25Ø2,5 |
| KIT B | |
| 40761 | |
| 2 - 4 - 7 - 8 - | |
| 11 - 12 - 13 - | |
| 15 - 17x2 - 19 - | |
| 21 - 22 - 26 - | |
| 27 - 35 - 36 | |
| KIT C | |
| 40811 | |
| 10 - 11 - 12 - | |
| 13 - 14 - 15 - | |
| 16 | |
| KIT D | |
| 40822 | |
| 17 - 22 - 23 - 24 - 35 | |



**VERSIONE
SERBATOIO IN
ALLUMINIO**

**ALLUMINIUM
GRAVITY CUP
VERSION**

| No. | REF. |
|--------|-------------|
| 1 | A018074 |
| 2 | A018022 |
| 3 Ø1,3 | A018077.13 |
| 3 Ø1,5 | A018077.15 |
| 3 Ø1,7 | A018077.17 |
| 3 Ø1,9 | A018077.19 |
| 3 Ø2,2 | A018077.22 |
| 3 Ø2,5 | A018077.25 |
| 4 | A018023 |
| 5 Ø1,3 | A018008.13 |
| 5 Ø1,5 | A018008.15 |
| 5 Ø1,7 | A018008.17 |
| 5 Ø1,9 | A018008.19 |
| 5 Ø2,2 | A018008.22 |
| 5 Ø2,5 | A018008.25 |
| 6 | A018068L |
| 7 | A018065 |
| 8 | Z065013 |
| 9 | A018041 |
| 10 | 1031620 |
| 11 | 1031621 |
| 12 | 20100213090 |
| 13 | A007008 |
| 14 | 1011356 |
| 15 | 1031021 |
| 16 | 20102195040 |

| No. | REF. |
|---------|-------------|
| 17 | A018062 |
| 18 | A018047/04 |
| 19 | A018028 |
| 20 | A018012 |
| 21 | A018001 |
| 22 | A018029 |
| 23 | A018006 |
| 24 | A018004 |
| 25 Ø1,3 | A018021.13 |
| 25 Ø1,5 | A018021.15 |
| 25 Ø1,7 | A018021.17 |
| 25 Ø1,9 | A018021.19 |
| 25 Ø2,2 | A018021.22 |
| 25 Ø2,5 | A018021.25 |
| 26 | Z065042 |
| 27 | A018024/TN |
| 28 | A018015 |
| 29 | 20100216000 |
| 30 | 1011560 |
| 31 | 1011419 |
| 32 | 1011417 |
| 33 | A018025 |
| 34 | A018061 |
| 35 | A018044 |
| 36 | A018045 |

| No. | REF. |
|------------------------|---------------|
| 37 | 20100736183/W |
| 38 | 971001/W |
| 39 | 20100302096/W |
| 40 | 90114/W |
| 40 | 90137/W |
| 41 | 20102210008 |
| 42 | 90105/W |
| 43 | 971005 |
| KIT A | |
| 1 - 2 - 3 - 4 - | 11352.13Ø1,3 |
| 5 - 25 | 11352.15Ø1,5 |
| | 11352.17Ø1,7 |
| | 11352.19Ø1,9 |
| | 11352.22Ø2,2 |
| | 11352.25Ø2,5 |
| KIT B | |
| 2 - 4 - 7 - 8 - | 40761 |
| 11 - 12 - 13 - | |
| 15 - 17x2 - 19 - | |
| 21 - 22 - 26 - | |
| 27 - 35 - 36 | |
| KIT C | |
| 10 - 11 - 12 - | 40811 |
| 13 - 14 - 15 - | |
| 16 | |
| KIT D | |
| 17 - 22 - 23 - 24 - 35 | 40822 |